

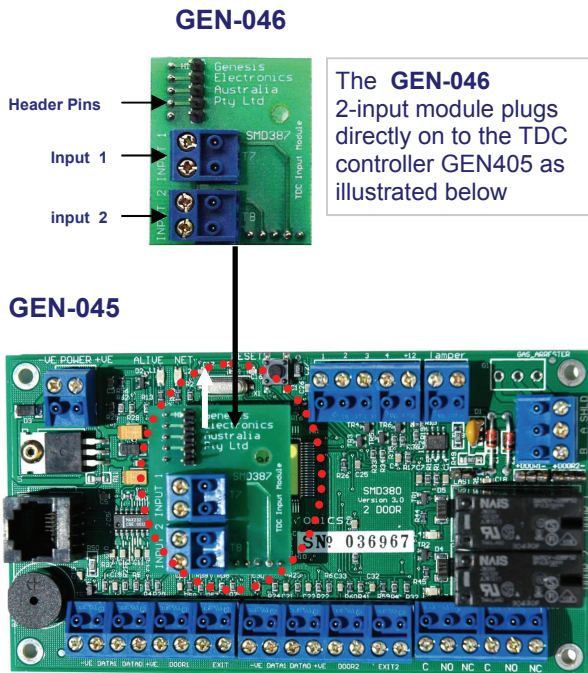


2-Input module

GEN-046

The newly developed 2-Input module plugs directly on to the Genesis TDC GEN-045 2-door controller. The module was specially designed for applications where 2-additional inputs may be required at the GEN045 2-door controller location. It is an economical and convenient expansion of additional general purpose inputs.

The GEN-046 module provides two DEOL 4-state monitored and fully programmable inputs. In addition, the module provides on-board firmware upgrade header pins. Please note, this module is supported by **V4** firmware, or higher.

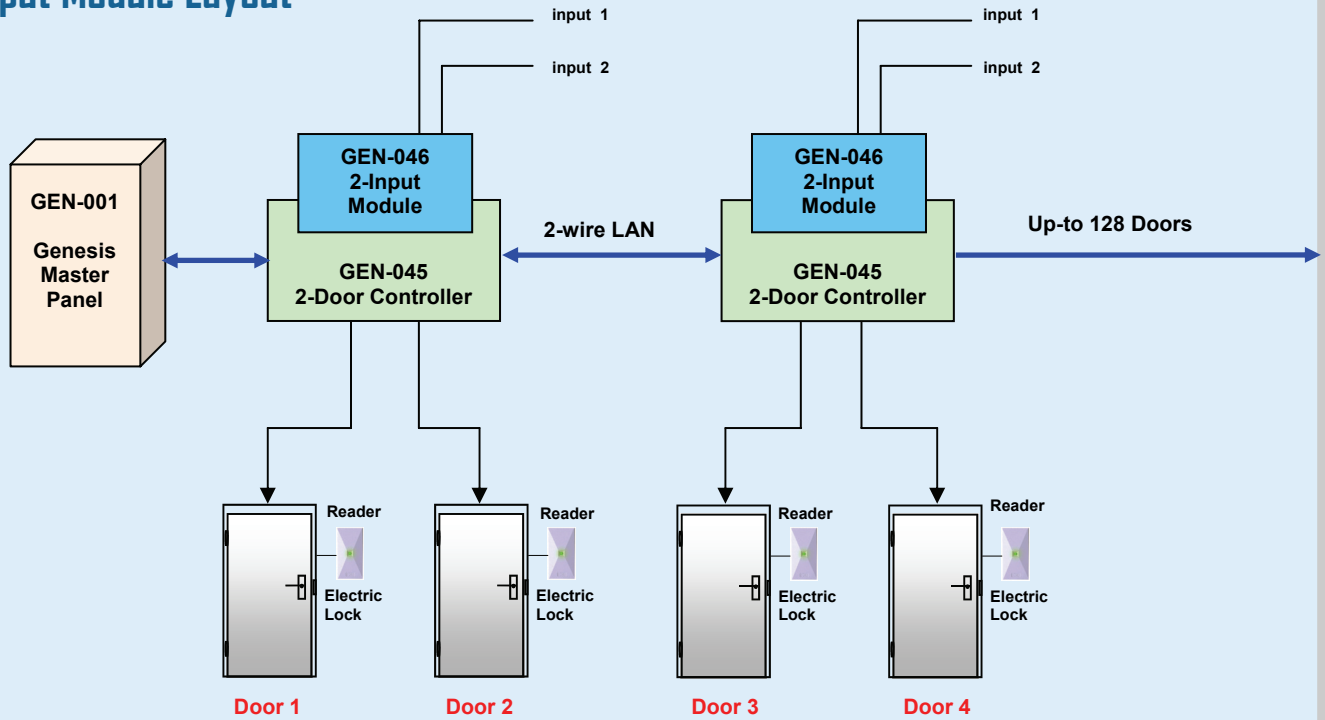


GEN-046 module provides

- ◆ Two DEOL general purpose inputs
- ◆ Firmware upgrades header pins
- ◆ Economical 2 input expansion
- ◆ Plugs directly on to the TDC



2-Input Module Layout



The 2-Input module can be used for additional door lock monitoring functions, or any other general purpose input applications

2-Input module

Specifications

Size	40 x 40 x 20
Shipping weight	(5mg)
Environmental	-15 to + 50 C, 10 to 90% RH non-condensing
Inputs	
Plug on module	2 x General purpose DEOL programmable inputs
Firmware version	
	The GEN-046 module is supported by V4 firmware, or above

Genesis Electronics Australia Pty Ltd

F3, 2-4 Laser Drive, Rowville, Victoria 3178 Australia
 Phone: +61 3 9763 4359 Fax: +61 3 9763 4098
 www.genisiselectronics.com.au
 info@genisiselectronics.com.au



Distributed by:



2 Year Warranty